

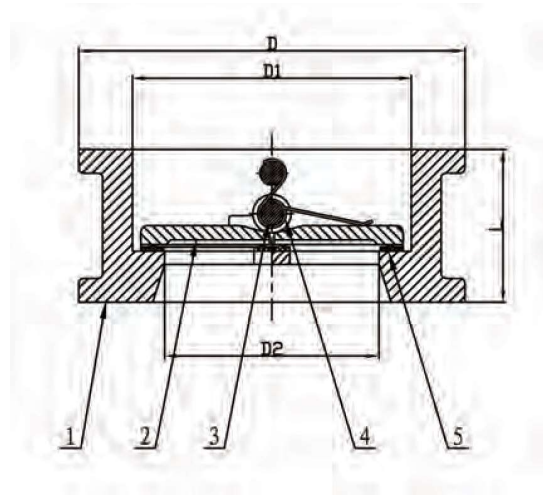
Double Door Wafer Check Valve
(DH77X), PN10/16



DH77X



- Connection Ends: DIN EN 1092 PN10/PN16, AS 2129 TABLE E, JIS B2212 10K, BS 10 TABLE D/E
- Working Pressure: PN10/16
- Temperature Range: 0°C- 80°C
- Coating: Fusion Bonded Epoxy Coating in accordance with ANSI/AWWA C550



MATERIAL SPECIFICATION

Part No.	Part	Standard Specification	Options
1	Valve Body	EN-GJS-450-10	
2	Disc	EN-GJS-450-10	SS304, SS316, AL-Bronze UNC 95400
3	Stem	SS420	SS304, SS316, SS416
4	Spring	SS304	SS316
5	Rubber Seat	EPDM	NBR

Note: For special material request other than standard specification, please indicate clearly on the inquiry or order list.

DN		Dimensions(mm)			
Inch	mm	L	D	D1	D2
2"	50	54	107	64	46
2.5"	65	54	127	78	60
3"	80	57	142	94	70
4"	100	64	162	117	84
5"	125	70	192	145	115
6"	150	76	218	170	134
8"	200	95	273	224	184
10"	250	108	328	265	220
12"	300	143	378	310	260
14"	350	184	438	360	302
16"	400	191	489	410	350